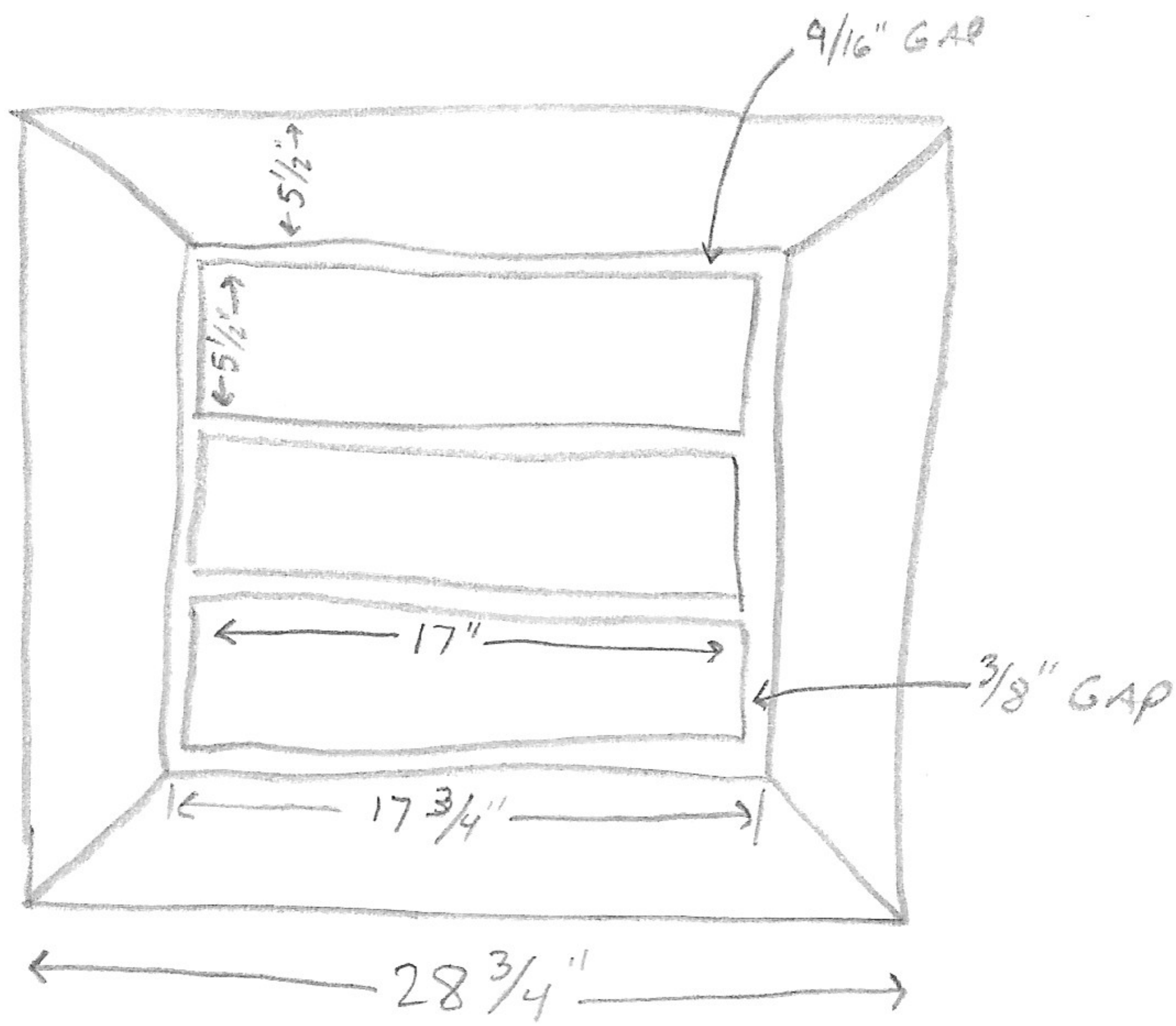
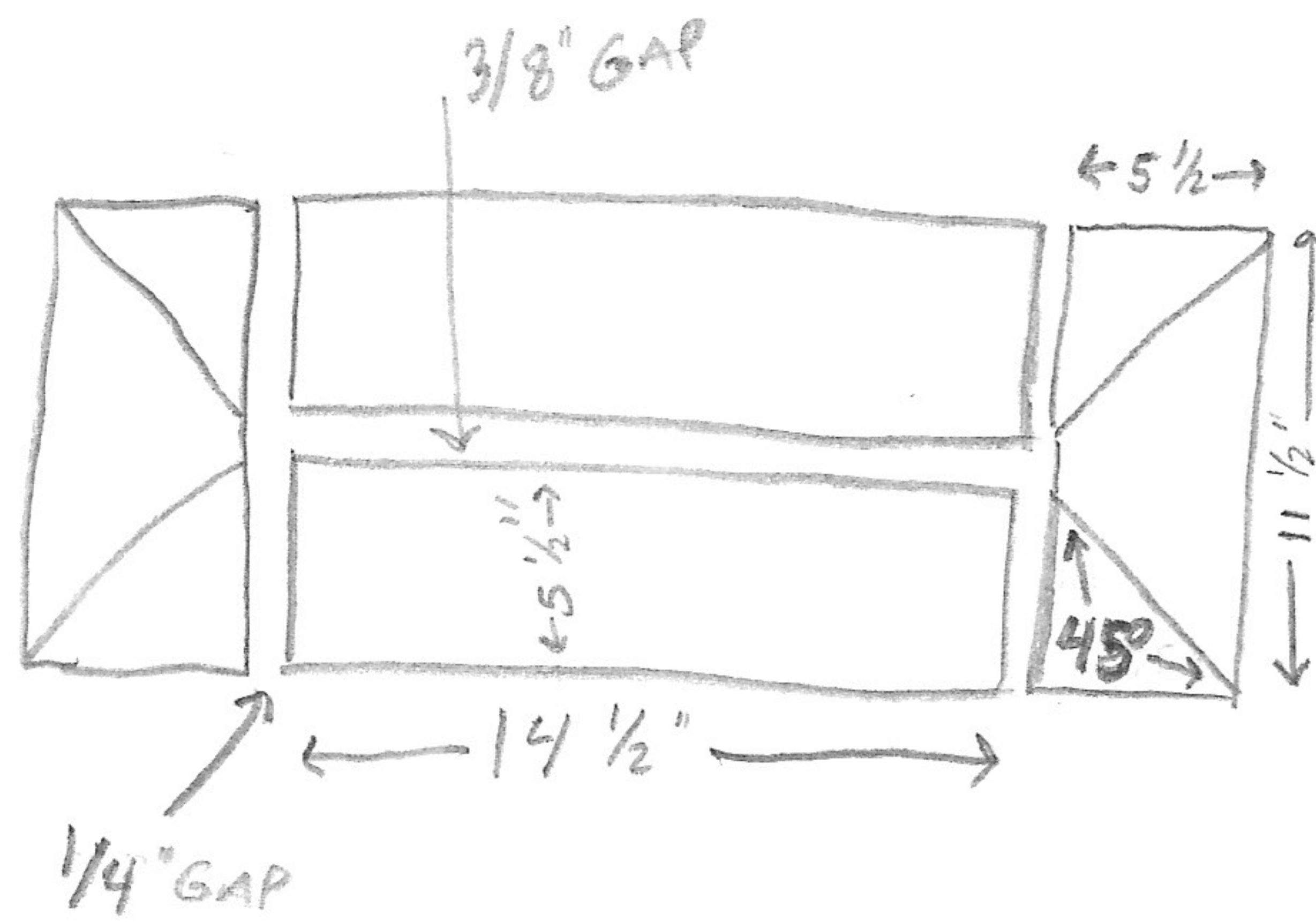


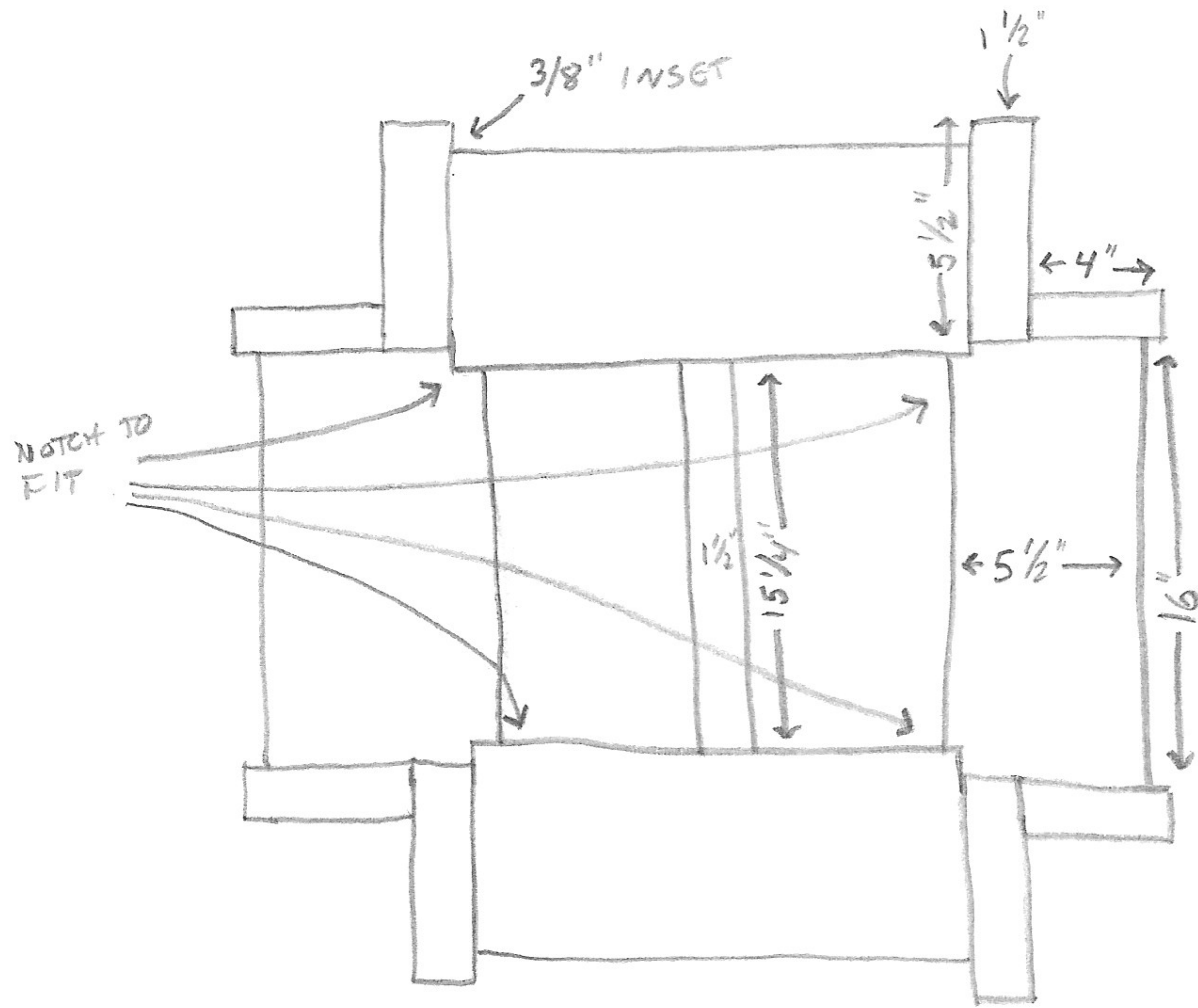
TOP



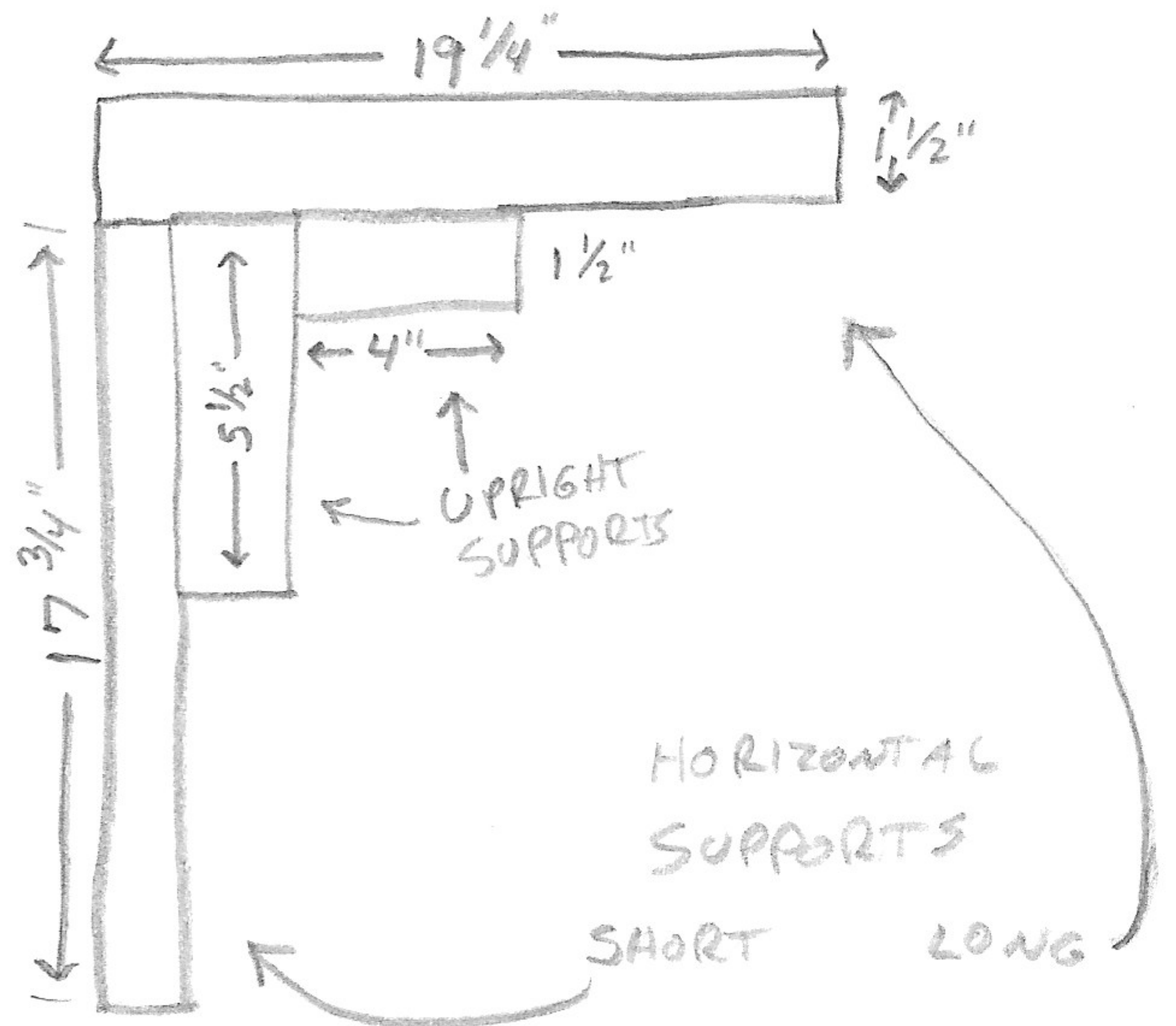
SEAT TOP



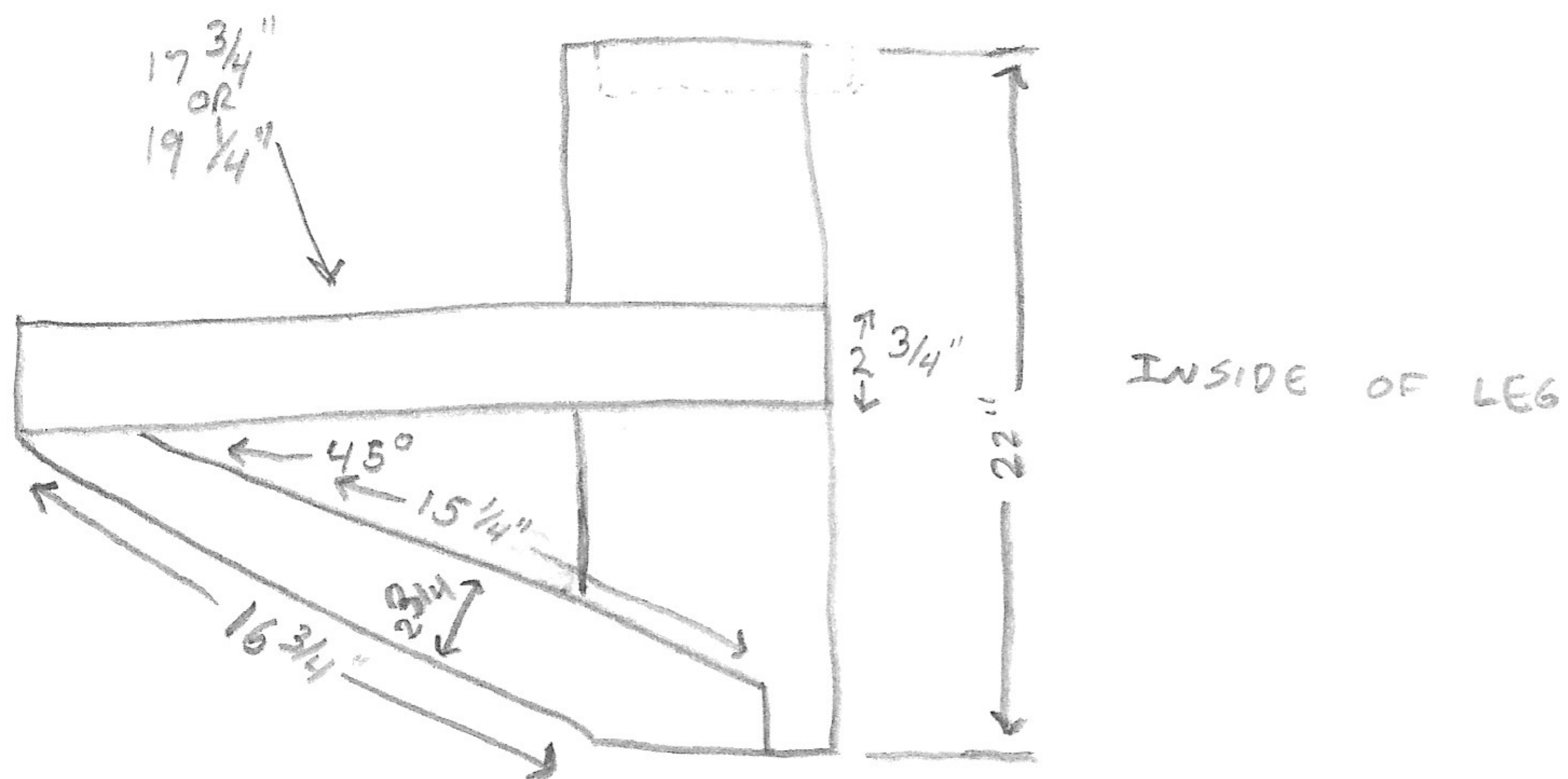
TOP DOWN



TOP DOWN HORIZONTAL SUPPORT



UPRIGHT SIDE VIEW



SEAT SUPPORT WING

